



AUSTRALIA'S PREMIUM
LIGHT INDUSTRIAL ROLLING DOOR

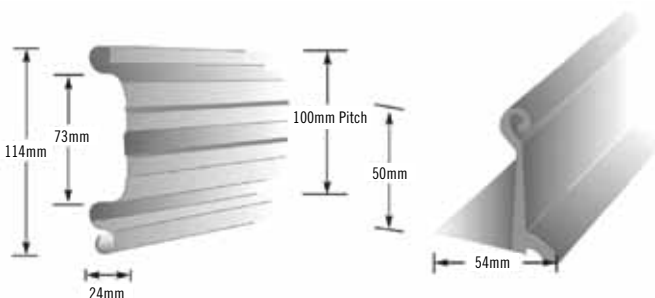
Roll-A-Shutter®

8/100 – INDUSTRIAL SLAT TYPE SHUTTER



The 8/100 Roll-A-Shutter curtain is made from 0.8mm thick continuous roll formed interlocking type coated galvanised steel slats, having a nominal effective pitch of 100mm and a zinc coating of not less than 250g/m².

The curtain is fitted with moulded nylon clips to the ends of alternate slats by three nylon rivets. When specified, special malleable iron windlocks are fitted to the slat ends at the recommended intervals on shutters exposed to excessive wind loading.



BENEFITS

- 8/100 Roll-A-Shutters are made from deep profile steel curtains
- Specially designed to economically fulfill requirements of popular commercial and industrial openings
- Suit openings from 900mm (h) x 900mm (w) to 6000mm (h) x up to 7000mm (w) depending on height
- Choice of manual, chain geared or optional power driven methods ensuring minimal operational effort.

BOTTOM RAILS

Extruded aluminium "T" section bottom rail with the top edge formed to interlock with the bottom slat of the curtain. Box section bottom rail is used with wicket gate option.

DRUM

Steel tube drum having a minimum O.D of 168mm x 3.18mm wall thickness and designed so that the drum stress does not exceed 124MPa. The drum is fitted with bearings and mounted on a bright mild steel spindle having a minimum thickness of 35mm.



Doors & Openers®

THERE'S SO MUCH MORE BEHIND A B&D DOOR

Call 13 62 63 or visit www.bnd.com.au for further information.

THERE'S SO MUCH MORE BEHIND A DOOR

GUIDES

The standard guides provided for nylon clipped Roll-A-Shutters are steel channels cold roll formed from 2.0mm steel, having a minimum depth of 70mm and measuring 38mm across the back. The 100mm deep guide option uses steel channels cold roll formed from 2.5mm steel, with a depth of 100mm and measuring 38mm across the back.

WINDLOCK GUIDES

When specified, windlock channel guides cold roll formed from 2.5mm steel with a minimum depth of 85mm and measuring 50mm across the back, with a 40mm x 12mm mild steel bar welded to the inside surface of the guide will be provided. Fabricated windlock guides are also available as an option.

BRACKETS

Fabricated from 50mm x 50mm x 6mm M/S angle and supplied with spindle support angles or 8-10mm M/S plate.

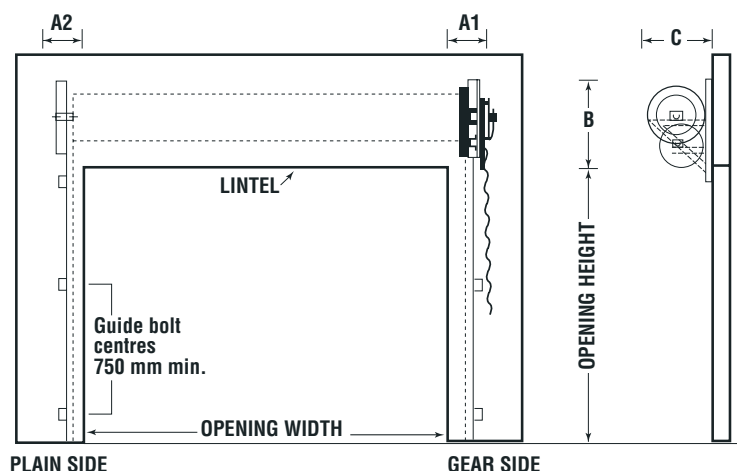
SPRINGS

Helical torsion type drum springs, made from spring steel wire conforming to AS1472. Designed to fit the drum assembly and of selected length to match the operating revolutions of the drum without exceeding the safe working stress.

LOCKING

All hand operated shutters are supplied as standard with external bottom rail slide bolt locking. All chain operated shutters are supplied as standard with chain cleat locking. There is an option for no locking, internal slide bolts, or internal & external slide bolts. There is also an option for keylocking on aluminium bottom rails up to 4800mm wide.

CLEARANCES



DEFLECTION & HEADROOM

It is characteristic of all rolling shutters that in the closed position the curtain has some degree of deflection graduating inward from the sides to the centre; away from the lintel. The headroom clearance specified in the dimension panel partly allows for this and provides limited cover to compensate for the consequent gap. In instances where the available headroom is less than the recommended clearance, the shutter may still be fitted, but a gap will exist between the top of the curtain and the inside of the lintel or head corresponding to the deflection of the curtain.

GEARS

Spur gears with the gearing ratio selected in accordance with shutter size.

FINISH

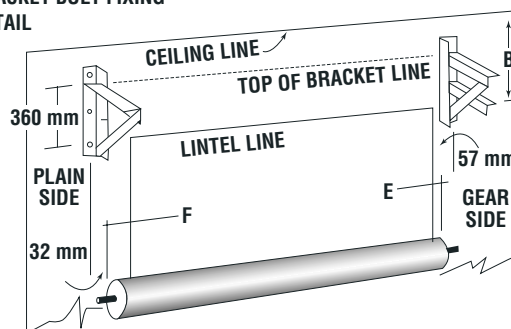
Galvanised steel finish with all M/S components prime coated. Optional powdercoat finish available when specified. Hauling chains shall be rust passivated. Colorbond® optional.

DIMENSIONS (all measurements in mm)

A1 Denotes gearside A2 Denotes plain side
B Denotes headroom C Denotes end view

	A1	A2	B rec	B min	C
4.7:1 - Chain geared					
Up to 9.3m ²	240-250	200-210	640-780	590-730	415-455
18.8:1 - Chain geared					
Up to 36m ²	280-290	200-210	680-835	630-785	485-510
Electric inside mount	230	570 to back of STR motor			
Electric outside mount	460	570 to back of STR motor			

BRACKET BOLT FIXING DETAIL



"E" = measurement from end of drum (not the gear wheel) to the fixing bolt centre line. Gear side.
"F" = measurement from end of drum to the fixing bolt centre line - Plain side.

YOUR B&D REPRESENTATIVE IS

B&D Doors has offices servicing all states.
For more details on this product or our other ranges,
phone **13 62 63** or visit **www.bnd.com.au**

Notes / Information

- B&D Roll-A-Shutter™ 8/100 Industrial Slat Type Shutters are covered by a 12 month warranty, for complete door and parts, as recommended in the door's handbook. Full details of the warranty are available from www.bnd.com.au. 12 month warranty only applies to doors purchased and installed in Australia or New Zealand. Warranty only valid if warranty conditions are met.
- For areas within one kilometre of a corrosive environment eg. salt air or industrial fallout, special care and maintenance are generally required for metal products. Consult B&D or your B&D Accredited Dealer for advice.
- The company reserves the right to make changes or improvements to the products or accessories without notice and without incurring any obligation to make similar changes or improvements to goods previously

- ordered. The company also reserves the right to site touch-up of colour finishes as deemed necessary by the Company. Specifications subject to change without notice.
- Roll-A-Door and Nylofelt are trademarks of B&D Australia Pty Ltd. Abuse of these trademarks will result in legal action.
- B&D products have many patents and registered designs applicable. B&D Roll-A-Shutter™ 8/100 Slat Type Shutters are Australian made
- Colorbond® and Zinalume® are registered trademarks of BlueScope Steel Limited.
- While BlueScope Steel Limited is our preferred supplier, steel products from other sources may also be used.
- Details correct at date of publication.



Doors & Openers®

THERE'S SO MUCH MORE BEHIND A B&D DOOR

Call **13 62 63** or visit **www.bnd.com.au** for further information.