

## PFI Insulation

residential sectional garage door option



### description

The B&D Insul-Shield™ is an optional extra that offers exceptional insulation technology and represents the smart choice for home owners.

Insul-Shield™ is made using ThermaSilver™ – an innovative quality graphite embedded EPS material which produces up to 20% more insulation compared to conventional EPS. ThermaSilver™ is strong, durable and unaffected by humidity.

### profile

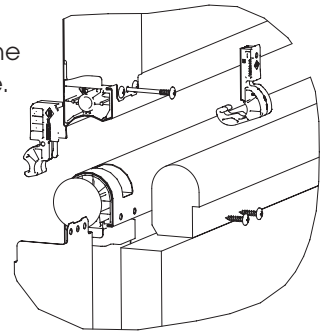
Pinchfree™ Profile	
PANEL PROFILE	
MODELS	Panelift Icon Nullabor Panelift Icon Seville Panelift Icon Statesman Panelift Icon Federation Panelift Icon Grange Panelift Icon Turino
CALCULATED THERMAL RESISTANCE	"R-value" = 1.4 W/m²K
ESTIMATED WEIGHTED SOUND REDUCTION INDEX (R'W)	18 dB(A)** **Acoustic Logic - Acoustic Report - 20140853.1
COIL THICKNESS	0.6mm
COIL TYPE	G2NS
WOODGRAIN OPTION	Yes
SMOOTH OPTION	Yes
INSUL-SHIELD™ OPTION	Yes
TAPER OPTION	No
WINDOWS	No

### size range

As per the Panelift® Icon™ product design selected.

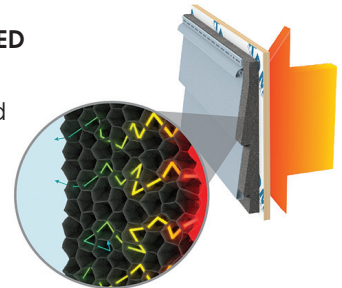
### features

- Standard Panelift Icon bottom seal and jamb and lintel seals co-extruded using both soft and rigid PVC material to achieve maximum sealing performance.
- Unique factory fitted internal hinging system and fully enclosed stiles provide a clean uncluttered look.
- 1mm thick polypropylene interior backing in white.
- Acts as a two way noise barrier.
- Provides additional strength.
- Helps to reduce operational noise.



### HOW GRAPHITE EMBEDDED EPS INSULATION WORKS

Radiant heat is reflected within the cell structure as it travels through insulation.



Graphite EPS Inner Core

Polypropylene Backing Sheet

Steel Outer



### NOTES / INFORMATION

- For areas within one kilometre of a corrosive environment eg. salt air or industrial fallout, special care and maintenance are generally required for metal products. Consult B&D Doors or your B&D Dealer for advice.
- Panelift garage doors, in normal residential use are covered by a five year warranty for all components and labour conditional on care and servicing as recommended in the door's handbook. Full details of the warranty are available, on request, from your nearest B&D office.
- The company reserves the right to make changes or improvements to the products or accessories without notice and without incurring any obligation to make similar changes or improvements to goods previously ordered.
- Prefixed Trademarks are trademarks of B&D Australia Pty. Ltd. Abuse of these trademarks may result in legal action.
- COLORBOND® is a registered trademark of BlueScope Steel Limited.
- B&D products have many patents and registered designs applicable.
- While BlueScope Steel is our preferred supplier, steel products from other sources may also be used.
- The process of roll forming sheet steel may cause irregularities in flat panel surfaces. Woodgrain texture improves the doors aesthetics. Smooth finish not available for all sizes.
- Details correct at date of publication. Specifications subject to change without notice.