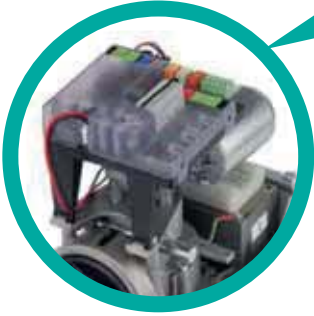


Swing gate operator with articulated arm – Residential Use

Integrated E024S control board

- BUS and Lock connections
- 2 Channel Plug in receiver



FEATURES

- Stylish articulated system
- Built in control board with optional back up battery
- Quick and easy installation – 2 wire
- 2 speed setting with adjustable slow down
- Adjustable force with special anti wind function
- Built in mechanical stops – no ground stop required
- Pedestrian mode from transmitter
- Automatic reversal on obstruction

Options:

- Low side room arm for limited side room of 200mm.
- External transformer pack

391 Technical Specification

Electric motor(s)	24V DC
Absorbed power	140W
Max torque	250Nm
Max leaf length	2.5M * **
Frequency of use @ 20°C	80 Cycle per day

*For gate leaves exceeding 2m – an electric lock must be installed
 **Max. gate leaf will depend on gate weight and wind load
 (Contact Global Access For details)

OPTION

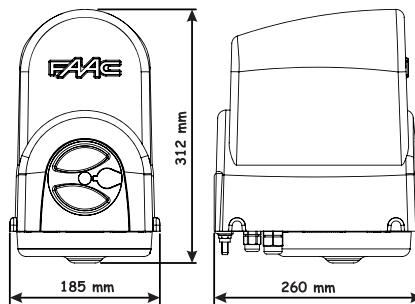


Extended Arm

- Suitable for longer leaves >2mt
- Outswing application
- Large piers

E024S Control Board Technical Specifications

Power Supply	230Vac (+6% -10%) 50Hz
Absorbed Power	20W
Max Motor load	120 x 2
Max accessories current (+24V)	500mA
Max BUS accessories current	400mA
Number of settable logics	7
Number of speed settings	2
Learning features	Pause time, leaf delay on closure



POPULAR ACCESSORIES



External Transformer



24V UPS Backup for power outages from 2 days to 2 weeks.



Safety Beams



Self regulating 24V back up battery.



Electric solenoid lock c/w latch plate



Add on Receiver for matching transmitters to garage doors.



Backlit Keypad



3G Trigger Module



Bus Interface: Allows standard PE Beams to be used with the control board.